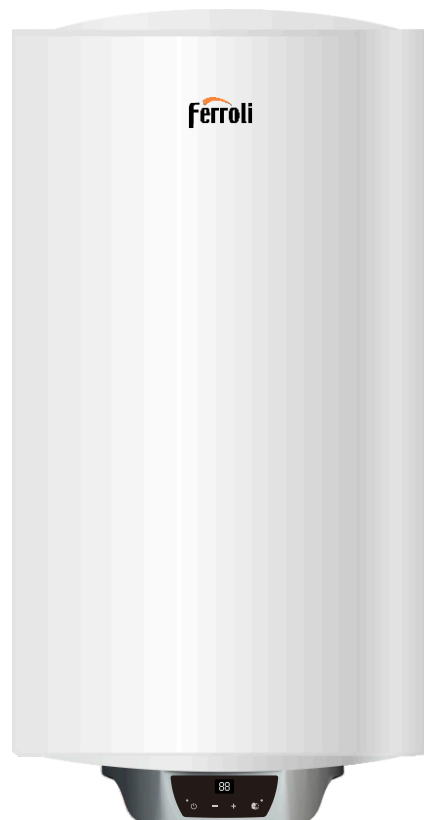
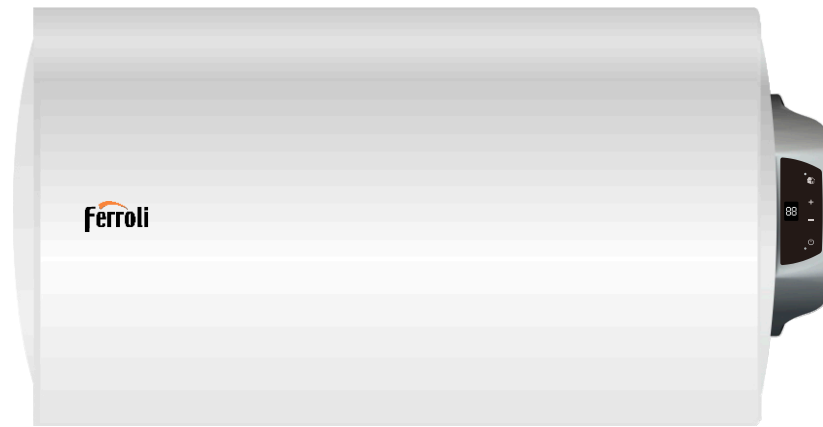


# ELECTRIC WATER HEATERS TIBER B

Instructions for installation, use and upkeep



TIBER B 30 S  
TIBER B 50 S  
TIBER B 50  
TIBER B 80  
TIBER B 100  
TIBER B 150  
TIBER B 80 H  
TIBER B 100 H

## **ATTENTION!**

DO NOT CONNECT TO THE MAINS BEFORE FILLING,  
ASIRREVERSIBLE DAMAGE TO THE APPLIANCE MAY OCCUR.

## **SAFETY WARNINGS:**

- Water heated to over 50 °C can cause serious, immediate burns if it comes directly out of the taps. Children, disabled persons and the elderly are particularly at risk. We recommend you fit a thermostatic mixing valve to the water supply pipe, marked red.
- The water temperatures inside the heater can reach up to 80 °C. Take care to adjust the water temperature in the tap by mixing it with cold water, inserting your hands only. Do not let water come into contact with the rest of your body directly at first.
- The unit must be installed and set up by a qualified technician in compliance with local laws and health and safety regulations.
- Any fault that occurs affecting electrical components must be checked and repaired by the Authorized Technical Service only.
- During winter, if the heater is going to be disconnected from the power supply for a long period of time, the water tank can be emptied to prevent damage from freezing, if this risk applies. Please remember to turn off the heater before emptying it.

- If the power cable is worn or frayed, it must be replaced by the manufacturer, its after-sales service or persons qualified to do so, to prevent any possible danger.
- Ensure that the electrical installation is fitted with the mandatory differential switch in compliance with regulations.
- The electric heater must be installed in such a way that any person who is taking a bath or shower does not have to use the switches and other set-up devices, maintaining 0.6 metres between the electric heater and the bath or shower.
- This unit may be used by children aged 8 years and up and by persons with impaired physical, sensory or mental abilities or lack of experience or knowledge, provided they are given the appropriate supervision and instructions to use the heater in a safe manner and they understand the hazards associated with its use. This unit is not a toy. Children must never play with it. The cleaning and maintenance to be carried out by the user must not be done by children without supervision.
- The hot water temperature is controlled by a thermostat that also acts as a safety device which can be re-armed to prevent dangerous over-heating.

- Do not tamper with the excess pressure safety device, only move it from time to time to ensure that it is not stuck and eliminate any dirt or grease that may have been deposited on it; the device intake tube must be fitted with a safety device that complies with the relevant standard, calibrated to a maximum pressure of 0.8 MPa, to include at least: a tap, retention valve, safety valve and hydraulic load cut-off.
- It is normal for water to drip from the excess pressure safety device and the EN 1487 safety device when the unit is heating up. For this reason, a drain must be fitted that is in the open air, with a pipe continuously tilted downwards, in an area that is not subjected to sub-zero temperatures.



Dear Customer.

Thank you for purchasing our TIBER B electric water heater from Ferroli.

The TIBER B electric water heater from Ferroli is designed and manufactured in accordance with the IEC international standard for electrical domestic appliances. The product is of the highest quality to international standards. We are therefore confident that this electrical immersion heater can fully meet your needs and enhance your family's quality of life.

Please read this manual carefully before use and keep it in a safe place.

**This product complies with the Directive 2012/19/EU.**



The symbol of the crossed-out litter bin on the unit and its packaging means that the product must be disposed of separately from other waste at the end of its useful life. Therefore, the user must hand in the product to a certified waste disposal facility for electro-technical and electronic products at the end of its useful life. Alternatively, the user may return the product to the retailer when purchasing a new product of an equivalent type. Electronic products whose dimensions are smaller than 25 cm can be handed in to any distributor of electronic products whose shop floor surface area is at least 400 m<sup>2</sup> for free disposal and with no obligation whatsoever to purchase a new product. ,

The selective collection of waste for recycling and the treatment and scrapping thereof, if compatible with environmental protection, contribute to the prevention of harm to the environment and promote reuse and/or recycling.

## INDEX

1. GENERAL FEATURES: .....	2
2. TECHNICAL CHARACTERISTICS .....	3
3. INSTALLATION REQUIREMENTS.....	5
4. CONTROL OPERATION .....	8
5. MAINTENANCE AND UPKEEP RULES .....	12
6. ELECTRICAL INSTALLATION SCHEMATICS .....	13

# 1. GENERAL FEATURES:

- **Glass insulation, water-electrical insulation**

The heating element is insulated with high-insulation glass powder; it yields high heat conduction and high heat stability as filler material, and serves to insulate the heating filament completely from the wall of the tube as well as ensuring that the insulation is leak-free.

- **Multiple protection**

This product is fitted with multiple safety features such as automatic constant temperature, anti-overheating, anti-scorching, anti-power surge, anti-freeze.

- **Blue silicon glass container**

The enamel pulverization machine, controlled by a computer made in Italy, lays a uniform sheet of special silicide on the surface of the container, which will melt on the container's steel wall after high-temperature sintering at 850 °C, so that the container is completely coated and therefore resistant to impacts, high-pressure and anti-oxidants, which considerably extends the water heater's useful life.

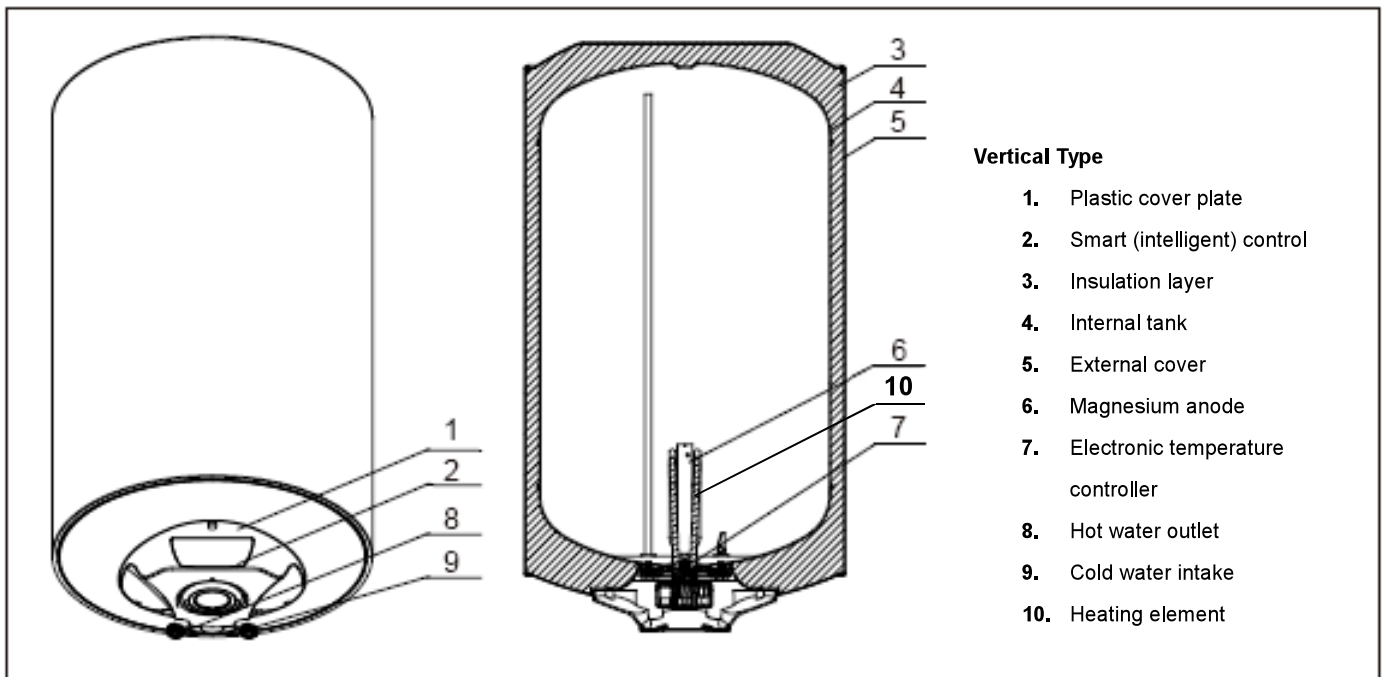
- **Magnesium anode bar.**

The unit has a strong magnesium anode bar for protection, anti-corrosion and de-scaling to provide soft water, which is good for health of one's skin and extends the useful life of the electric heater.

- **Smooth operation**

With peripheral temperature adjustment and a closed structure, it can supply water to several places at the same time. This product is suitable for hot water used in the home.

## Diagram of the Electric Heater and its Component Parts



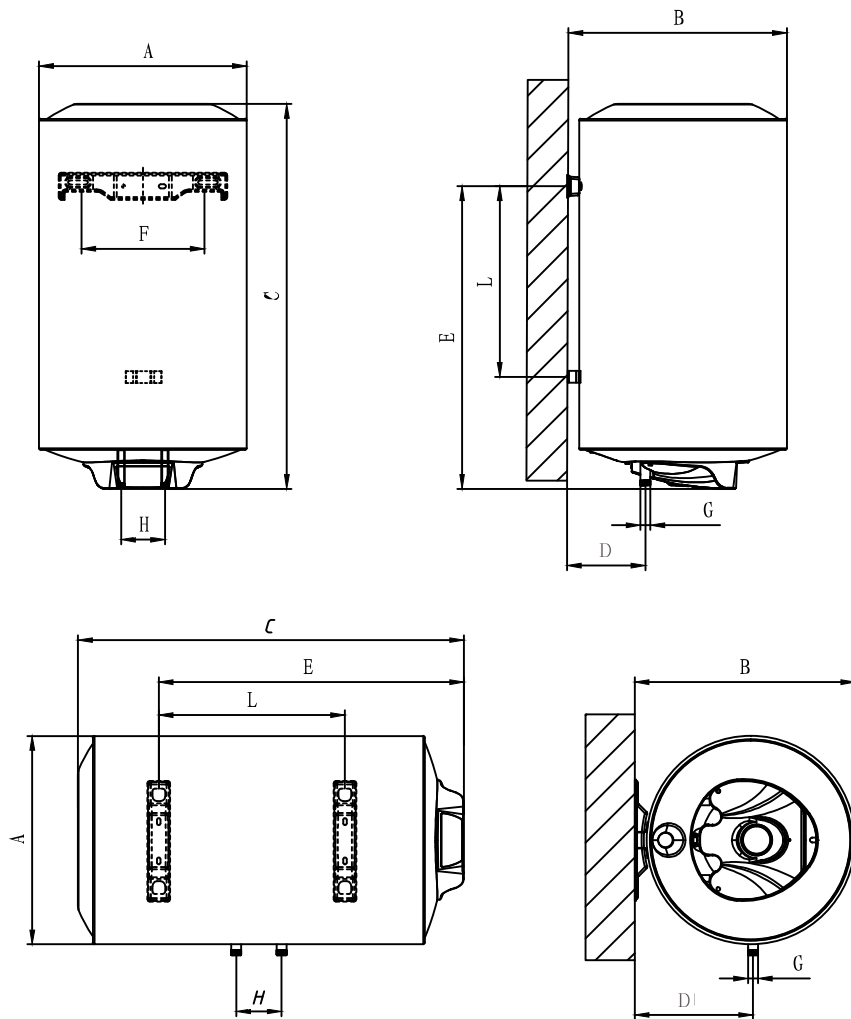
## 2. TECHNICAL CHARACTERISTICS

Model		TIBER B 30 S	TIBER B 50 S	TIBER B 50	TIBER B 80	TIBER B 80 H	TIBER B 100	TIBER B 100 H	TIBER B 150
Storage volume (V)	l	28.5	46.5	47.5	76	76	97	97	132
Weight when filled with water*	Kg	42	63	64	99	99	122	122	165
Temperature adjustment range	°C	40 - 80							
Maximum working pressure of internal tank	MPa (bar)	0.8 (8)							
Power supply		230V~50/60Hz							
Nominal power output	kW	1.5							
Dimensions	mm	Ø368x522	Ø368x742	Ø438x579	Ø438x810	Ø438x810	Ø438x974	Ø438x974	Ø438x1280
Declared load profile		S	M	M	M	M	M	M	L
Water heating energy efficiency class		A	B	B	B	B	B	B	C
Water heating energy efficiency ( $\eta_{wh}$ )	%	38	39	39	39	39	39	39	39
Annual Electrical Consumption (AEC)	kWh	485	1316	1316	1316	1316	1316	1316	2623
Acoustic power level ( $L_{WA}$ )	dB	15							
Daily electricity consumption ( $Q_{elec}$ )	kWh	3,072	7,311	7,311	7,753	7,753	7,753	7,753	14,358
Mixed water at 40 °C (V40)	l	-	70.0	65.0	120.0	100.0	160.0	135.0	240.0
Settings for the thermostat temperature and water heater, as placed on the market.	°C	70							
Type of fitting		Vertical installation (H)-Horizontal installation							

**\*To take in mind when anchoring the unit to a wall**

The energy consumption data and other information given in the Product Data sheet are defined in relation to EU Directives 811/2013 and 814/2013.

The device is equipped with a smart function that allows it to adapt to the consumption of each user profile. If operating correctly, the device has a daily consumption of "QElec" ("less than that of an equivalent product without a smart functionality").



\*The TIBER B 100-150L model has 2 metal mounting brackets.

NUMBER	MODELOS(mm)							
	TIBER B 30S	TIBER B 50S	TIBER B 50	TIBER B 80	TIBER B 100	TIBER B 150	TIBER B 80H	TIBER B 100H
A	φ368	φ368	φ438	φ438	φ438	φ438	φ450	φ450
B	380	380	450	450	450	450	462	462
C	522	742	579	810	974	1280	810	974
D	116	116	151	151	151	151	237	237
E	364	584	403	634	798	1104	634	798
F	270	270	270	270	270	270		
G	1/2"	1/2"	1/2"	1/2"	1/2"	1/2"	1/2"	1/2"
H	100	100	100	100	100	100	100	100
L	170	390	199	430	549	855	385	549

### 3. INSTALLATION REQUIREMENTS

The unit must be installed and set up by a qualified technician in accordance with the rules laid down by local health and safety regulations, such as the "Low voltage Electro-Technical Regulations", the Technical Building Code and relevant local regulations.

The unit heats water to a temperature below boiling point. It must be connected to a main water supply that is compatible with the unit's performance levels and capacity.

Before connecting the water heater, the following steps must be carried out:

- Check that the characteristics (see data plate) meet the customer's requirements.
- Read the instructions on the packaging label and on the unit's data plate.

#### Installing the water heater

This unit has been designed to be installed inside buildings only, in accordance with current regulations. Furthermore, installers are asked to follow these recommendations in the presence of:

- **Humidity:** Do not install the unit in closed (unventilated) or damp/humid spaces.
- **Freezing conditions:** Do not install the unit in areas where the air temperature may drop to critical levels and there is a risk of freezing conditions.
- **Sunlight:** Do not expose the unit to direct sunlight, even if there are windows.
- **Dust/vapours/gas:** Do not install the unit if particularly hazardous substances are present, such as vapours, dust, or gas saturates.
- **Electrical discharges:** Do not install the unit directly connected to electrical power sources that are not protected against surges.

#### Location for installing the unit

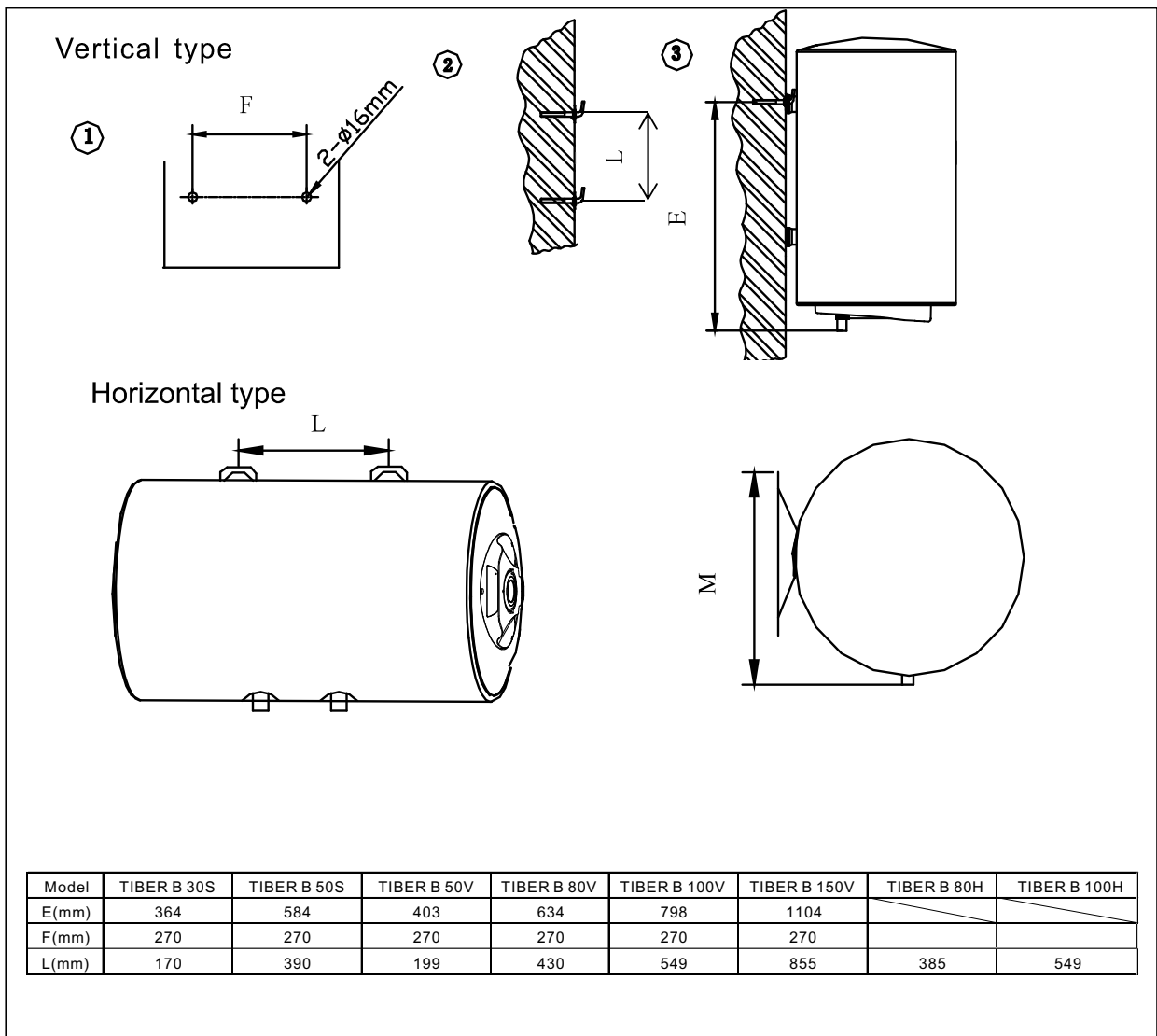
It is convenient to install the heater as close as possible to the water mains supply to minimize heat loss from the pipes. TIBER B water heaters are always installed with downstream water connections. To facilitate inspections and internal cleaning, a free space must be left of at least 25 cm between the protective cover (pos.1, page 40) of the heater and any fixed obstacle.

#### WALL-MOUNTED FITTING

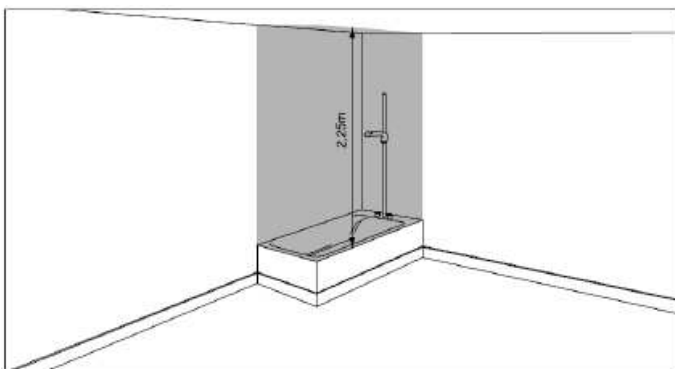
In the case of brick or cavity block walls, partition walls with limited static or any kind of brickwork other than those mentioned, a preliminary inspection must first be conducted of the system to be used to mount the unit.

Installation Procedure:

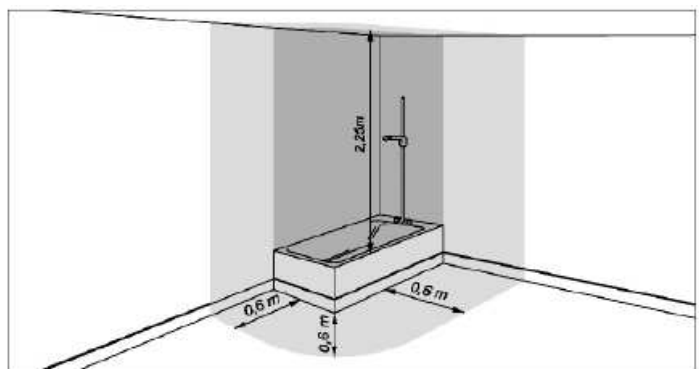
1. Ensure that the surface of the area where you are going to mount the heater can support four times the weight of the heater when filled with water.
2. Use a power drill to make the holes to a depth of at least 90 mm in the wall. These holes must be level on the same line.
3. Insert two wall plugs in the hole, screw in the screw hooks and place them facing upwards, then raise the electric heater and aim for the hooks, fasten it firmly into position and check the wall plugs are not loose to ensure that the electric heater is firmly mounted.



Note: In particular, if you need to install the heater in a bedroom or bathroom, the specified installation space must be complied with: Prohibited Space and Protected Space



Prohibited Space



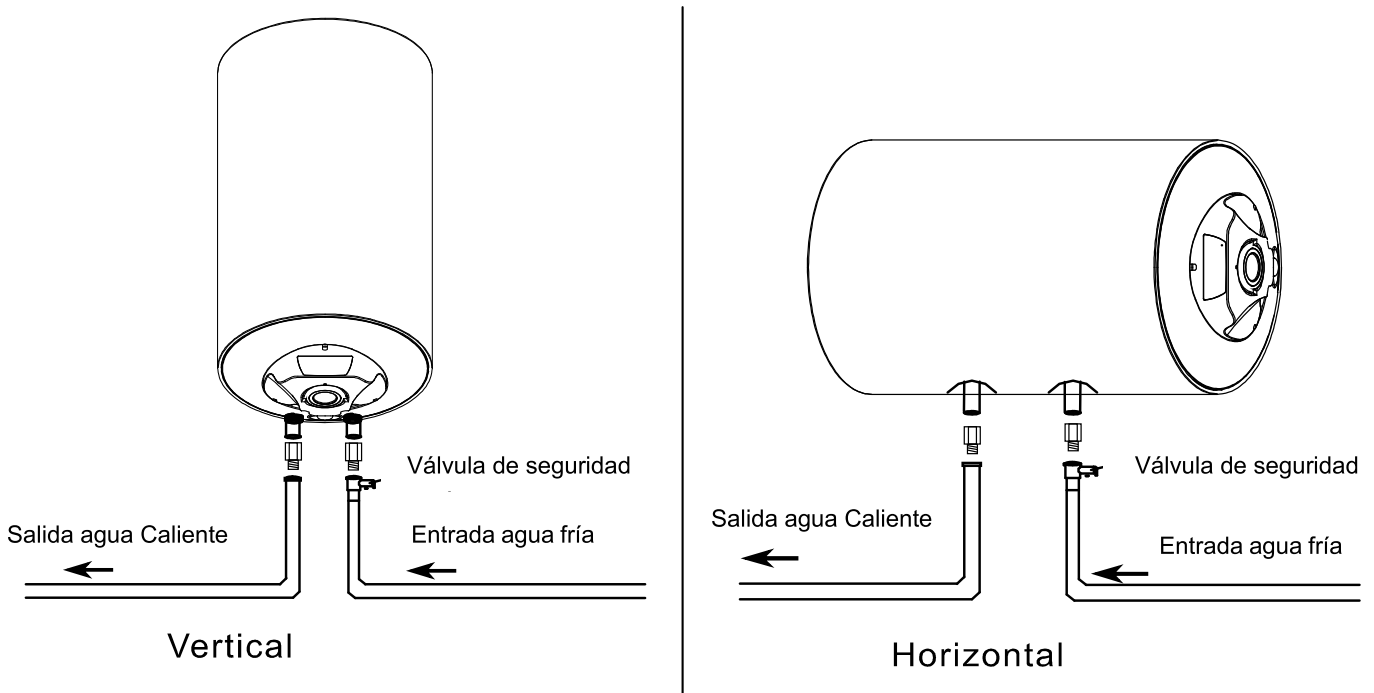
Protected Space

- No switches, power sockets or lighting may be installed in the prohibited area.
- No switches may be installed in the protection area but safety power sockets may be installed there.

## WATER SUPPLY CONNECTION

Connect the water heater intake and outlet with pipes or accessories that are able to withstand temperatures over 100°C at a pressure that exceeds working pressure (**8 bar**). Therefore, we strongly recommend that no materials should be used that cannot withstand high temperatures.

When fitting the water pipes follow the basic rules to prevent corrosion: “Do not use copper before iron or steel in the direction of the water flow”. To prevent galvanic pairs and their destructive effect, use Teflon tape to thread the insulating hoses supplied with the heater to its two pipes.



Thread the cold-water intake pipe (blue) to the electrolytic hose and from this to the hydraulic safety sub-assembly with the draining device supplied with the heater. Fit a cut-off valve to the cold-water supply pipe. **IMPORTANT: the cut-off valve must always be in the open position whenever the heater is switched on,**

Some countries require alternative safety devices to be used and there may other requirements under local regulations: the installer must check the suitability of the safety device that he or she tends to use. Do not fit cut-off device (valve, tap, etc.) between the safety unit and the heater itself.

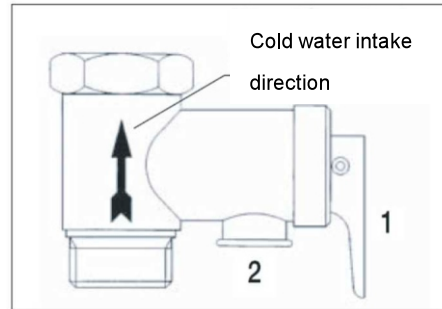
Connect the hot water distribution pipe to the hot water outlet pipe insulating hose (red) from the heater.

The hydraulic safety valve or assembly supplied with the water heater is fitted with a retention and overpressure valve. The latter opens to a maximum of 8 bars. If the pressure in the water installation exceeds 5 bars, fit a pressure reducer, as per regulations.

Likewise, it is essential to attach the drainage nozzle of the safety valve (2) to a drain, using the siphon evacuation tube supplied. This conduit must be visible and sloping towards the drainpipe.

### Description of the safety valve

- 3- Device for emptying water from the heater
- 4- Water draining outlet



### ELECTRICAL CONNECTION

Before installing the unit, we recommend that you check the electrical system very carefully to ensure that it complies with the relevant regulations. The manufacturer accepts no responsibility for any damage caused by the lack of a grounding to earth or a problem related to the power supply.

Ensure that the voltage used is 230 V / 50 Hz.

Check that the main power supply is rated for the heater's maximum power consumption (Refer to the technical characteristics plate) and that the electrical cables and wiring are suitably rated and regulated.

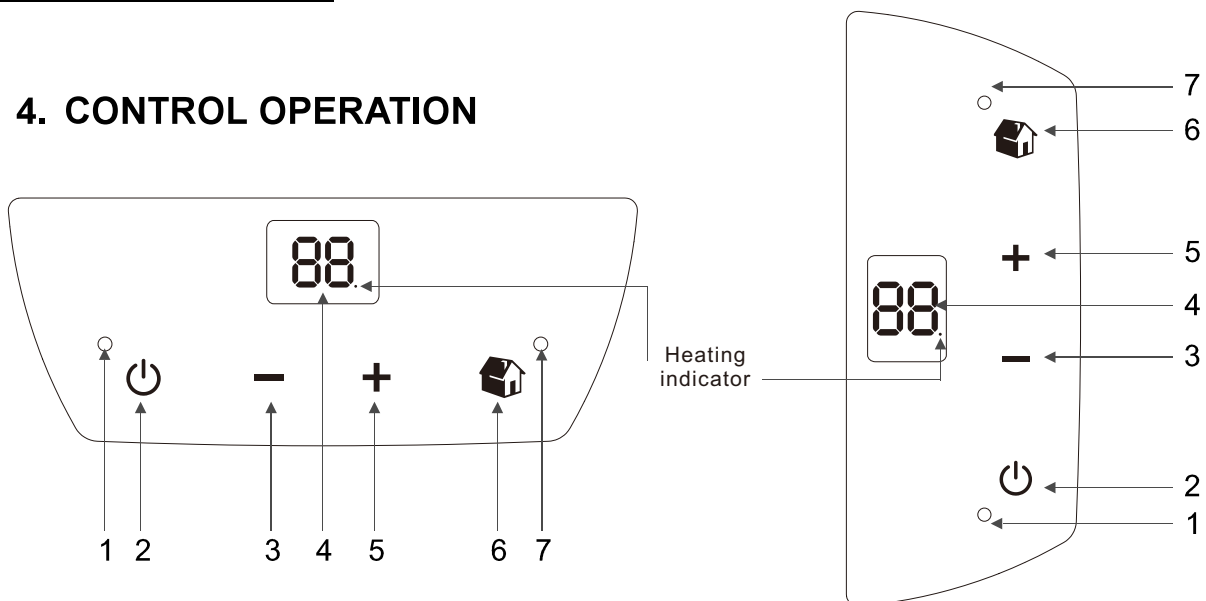
Ensure that the electrical installation is fitted with the mandatory differential switch in compliance with regulations.

### SET UP

Fill the water heater, opening the cold-water cut-off valve and the hot water taps. When water comes out of the taps, turn them off, starting with the lowest one (bidet) and ending with the top one (shower). In this way any air in the heater and pipes can be bled off.

**The heater must be filled with water before its first use (or after any maintenance or cleaning) and after it has been connected to the power supply. DO NOT SWITCH ON THE POWER unless it is full, as this could damage the resistance.**

## 4. CONTROL OPERATION




- 1- **Flashing:** anti bacteria function enabled;  
**Normally on:** constant temperature mode
- 2- **Power key**
- 3/5- **Adjustment key**  
short press: adjust;  
Long press: fast adjustment Press and hold the combination key for 5S: start stop anti bacteria mode

- 4- **Temperature display / Countdown setting display / Hour value display**
- 6- **Mode key**  
Short press: countdown appointment mode / constant temperature / eco switch;  
Long press: enter the countdown appointment setting
- 7- **Always on:** Eco mode;  
**Flashing:** Countdown enabled



1. 2-colour indicator light  
Constant temperature function; Red LED  
Anti-Legionella function, Red LED (6/7) flashes  
Shutdown and power on function, Green LED
2. STANDBY button
3. “-“button
4. Temperature display
5. “+“button
6. Mode selection button (Reservation mode/ constant temperature / ECO mode)
7. Count down appointment mode. Red LED(6) light up

Plug the heater into a 230 V / 50 Hz power outlet. The first time it is plugged in, the two-colour LED (1) will light up green. Press the **STANDBY** button  (2) to switch on the unit. The first time the unit is switched on, the temperature will be pre-set to 70 °C.

During the heating stage, the decimal point in the lower right corner of the LED digital tube will flash and display until the set temperature is reached, the decimal point goes out.

If the temperature drops ,for example after hot water has been used ,it automatically starts to heat water again and the decimal point will flash again.

During the warm-up phase, you may hear a slight noise as a result of the water heating process.

The TIBER B heater has 3 operating modes: Manual and Smart /Appointment.

Can change the modes according to press the  button.

#### **MANUAL OPERATION:**

This enables the user to adjust the temperature using the "+" y "-" until indicated with the LEDs, selecting a temperature level between 40 °C and 80 °C (40 °C, 50 °C, 60 °C, 70 °C and 80 °C).

#### **SMART FUNCTION:**

Press the  to activate to the “smart” function. The corresponding LED indication(7)will light up.

If the "manual" function is used in conjunction with the "smart" function, the temperature will automatically be adjusted by the product; this means that the “Manual” function will be deactivated.

If you want to adjust the temperature manually,you will need to turn off the smart function.

## Smart Function - Description

The smart function is a software application that learns about the user's consumption, which enables it to minimize heat loss and maximize energy savings.


The smart software undergoes a learning period of one week from the time that the electric heater commences operation at the temperature set and it records the user's demand for energy.

From the second week on, the learning process continues to learn about the user's needs in more detail and changes the temperature every hour to adapt it to the actual demand in order to improve the energy saving.

The "smart" software "Smart" "activates water heating for the time determined automatically by the heater depending on the user's consumption. During the day, when there is no demand for water, the heater still ensures that there is a reserve supply of hot water available at 45 °C.




To ensure that the smart function operates appropriately, do not disconnect the heater from the mains power supply.

## APPOINTMENT FUNCTION

Continue to press the  button. to enter the appointment mode.

Press the mode key to switch to the countdown reservation mode, (6) light flashes.

Countdown reservation function, in the countdown reservation mode, the electric water heater will be heated to the set temperature in advance according to the time point reserved by the user.

**Countdown appointment mode:** press  3S for a long time to enter the countdown appointment setting,  blink, enter the countdown setting, use **+** and **-** press the key to adjust the countdown. After setting, press the  mode key briefly to confirm. If no operation is performed for 5S in the setting, it will be saved by defaultCurrent setting and exit the setting state. When the electric water heater is powered off, it will exit the countdown appointment mode.

Continue to press the door button, the corresponding LED(7) light will go out, and exit the appointment function.

## ANTI-LEGIONELLA FUNCTION

The unit's "heat disinfection cycle" or anti-Legionella function is switched off by default.

Activate this function by pressing the "-" and "+" keys at the same time for 5 seconds Once activation is confirmed, (1) light will flash rapidly for 5 seconds and then the light will Keep flashing.

To switch off the anti-Legionella function,repeat the previous steps(press "-" and "+" keys for 5 seconds) ; once deactivation is confirmed, The indicator( light 1) stops flashing and stays on.

When the anti-bacteria cycle is operating, the set temperature is 73 °C. This is displayed as a normal temperature setting of 80 °C; however, when it reaches this temperature, it will continue to appear as 70 °C (not reaching 80 °C).

The first time this function is activated (or if the water heater has been switched off), wait 3 days for it to start to work; once the cycle has been completed, it will repeat itself every 30 days, provided it is not set to operate at 80 °C, in which case the 30-day cycle will re-set.

This function can work in All modes.

## Information

Legionella are small bar-shaped bacteria that are a natural constituent of all fresh water. Legionnaires' disease is a serious pneumonia infection caused by inhaling the bacteria Legionella pneumophila or some other species of Legionella. These bacteria are frequently found in domestic systems, in hotels and other water systems and in water used for air conditioning or air cooling. Therefore, the main approach to combat this is prevention, by controlling the organisms present in water systems.

## General Recommendations

To restrict the growth of Legionella:

**Water temperature between 25 °C and 50 °C.** To restrict the growth of Legionella bacteria, the water temperature must be within a range at which the bacteria either do not grow at all or grow very little, whenever possible. Otherwise, the drinking water installation needs to be disinfected using heat treatment.

**Water stagnation.** To avoid there being long periods when the water may become stagnant, the water in each part of the drinking water installation must be used or rinsed at least once a week.

Regarding the water stored in this water heater, if:

- 1) The unit is switched off for a long period of time [months] or
- 2) The water temperature is kept constantly within the range 25 – 50 °C, the Legionella bacteria may grow in the tank.

In such circumstances, reduce the proliferation of bacteria by carrying out a "heat disinfection cycle".

**Note:** When the software carries out the heat disinfection treatment, it is likely that the electric water heater's energy consumption will increase. **The temperature of the water in the tank can cause serious burns immediately when the software is running the heat disinfection treatment. Children, disabled persons and the elderly are particularly at risk of being scalded. Check the water temperature before taking a bath or shower.**

## GENERAL POINTS:

In the event of a power failure or if the unit is switched off using the **STANDBY** button, the most recent temperature setting will stay in the memory, as well as its status (i.e. if it was on standby or running) and whether the anti-Legionella was activated or de-activated.

**In any configuration procedure, if the user takes no action for 5 seconds, the last setting will be stored in the device's memory.**

## ANTI-FREEZE FUNCTION

The anti-freeze function will operate during cold weather and when the unit is not in use for a long period of time. The unit's Anti-Freeze function is activated by default.

To ensure that the Anti-Freeze function operates appropriately, do not disconnect the heater from the mains power supply.

## RE-START/DIAGNOSTICS

If there is a malfunction, the unit will enter “fault mode” and 4 will display the corresponding fault code.

### Re-start:

Cut off the power and start the water heater again, if the fault has been removed.  
The heater will resume normal operation. If this is not the case, 4 will continue to display the fault code.

### Diagnostics:

The type of malfunction will be indicated by the 4 as follows”

- E4 LED flashing – Operating without water
- E2/E5 LED flashing – Temperature sensors NTC 1/NTC 2 broken
- E6 LEDS flashing – Fault in sensor differential
- E7 LED flashing – Water overheating
- E8 LED flashing – water overheating detected by an individual sensor

**NEVER ATTEMPT TO REPAIR THE UNIT YOURSELF • ALWAYS HAVE IT DONE BY A QUALIFIED TECHNICIAN.**

All data and specifications indicated are non-binding; the manufacturer reserves the right to change, announce or replace them at its sole discretion. This product complies with REACH regulations.

## 5. MAINTENANCE AND UPKEEP RULES

### Magnesium anode

It is essential that the unit be inspected annually by the Technical Support Service (TSS) to eliminate lime scale deposited on the heating element and check the condition of the magnesium anode (See point 6). If the water in your area is very hard or corrosive you must ask for more frequent inspections.

If the magnesium anode is degraded, it must be replaced by the Technical Support Service.

### Draining the unit

If installed in a location where freezing occurs, the unit must be drained if it is not going to be used.

When this is necessary, drain the heater as follows:

- Unplug the heater from the mains electricity supply;
- Turn off the valve from the water mains;
- Open the hot water tap (basin, sink or bath);
- Open the drainage valve.

### Periodic maintenance

After routine or special maintenance, we recommend you fill the tank with water and drain it off completely to eliminate any residual impurities.

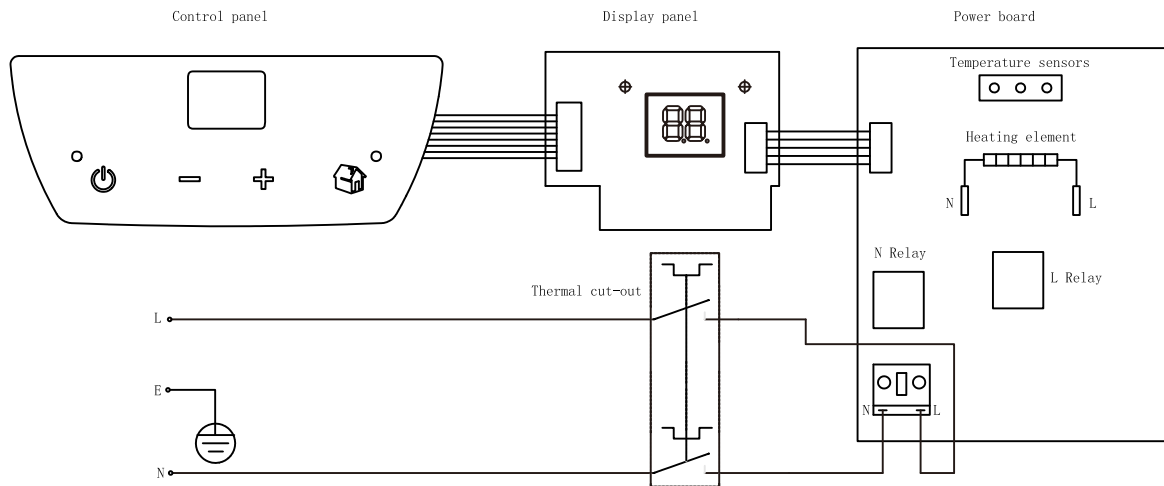
### Safety valve

The pressure safety device must be activated on a regular basis (once a month) to eliminate lime scale and ensure that it is not obstructed. This can be done with lever No. 1, the safety device for draining off water from the heater.

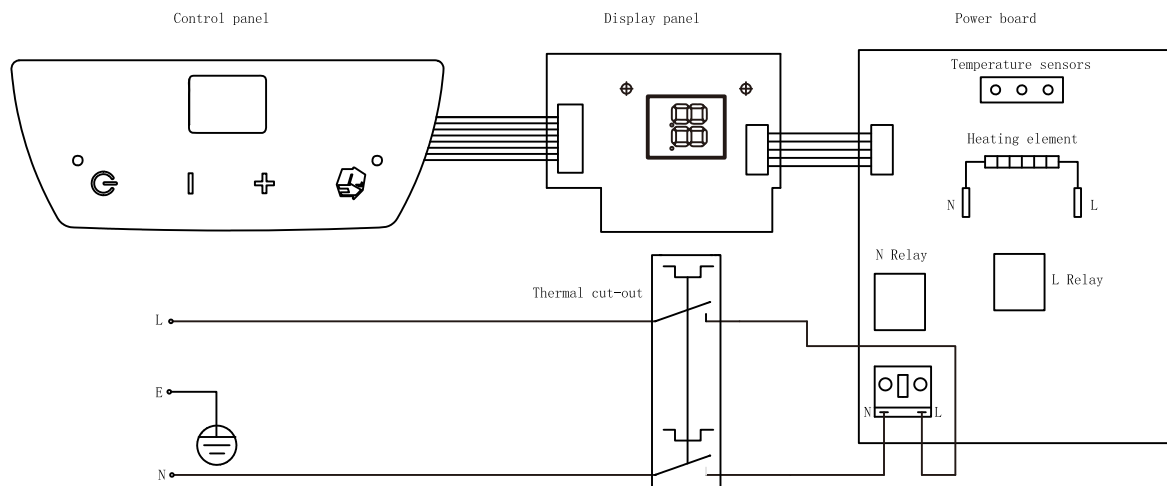
To clean the outside of the heater, use a damp cloth with soapy water. Never use abrasive products or those that contain solvents (for example, alcohol).

**For safety reasons, Ferroli accepts no responsibility of any other items are used that are not original parts or replacements installed by our Technical Support Service.**

## 6. ELECTRICAL INSTALLATION SCHEMATICS



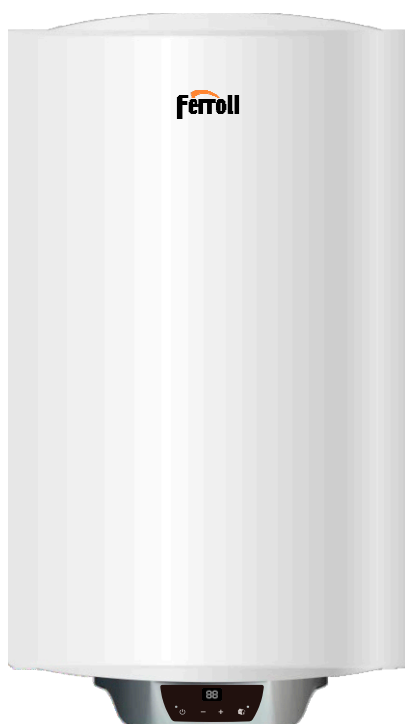
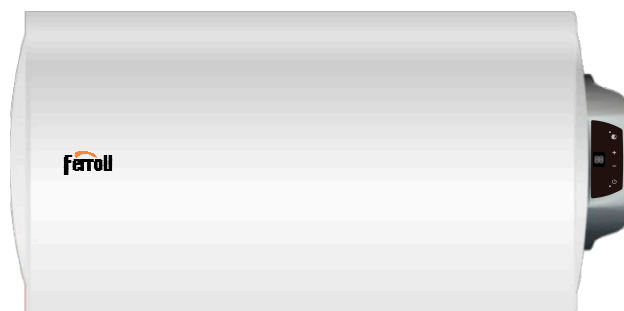
Vertical type



Horizontal type

# CALENTADORES DE AGUA ELÉCTRICOS TIBER B

Instrucciones de instalación, uso y mantenimiento



TIBER B 30 S

TIBER B 50 S

TIBER B 50

TIBER B 80

TIBER B 100

TIBER B 150

TIBER B 80 H

TIBER B 100 H

## **¡ATENCIÓN!**

NO CONECTAR A LA RED ELÉCTRICA ANTES DE LLENAR, YA QUE PUEDEN PRODUCIRSE DAÑOS IRREVERSIBLES EN EL APARATO.

## **ADVERTENCIAS DE SEGURIDAD:**

- El agua calentada a más de 50 °C puede causar graves e inmediatas quemaduras cuando sale directamente de los grifos. Los niños, las personas discapacitadas y los ancianos corren un riesgo especial. Recomendamos instalar una válvula mezcladora termostática en la tubería de suministro de agua, marcada en rojo.
- Las temperaturas del agua dentro del calentador pueden alcanzar los 80 °C. Tenga cuidado al ajustar la temperatura del agua del grifo mezclándola con agua fría, introduciendo sólo las manos. No deje que el agua tenga contacto con el resto de su cuerpo directamente al principio.
- El aparato debe ser instalado y puesto en marcha por un técnico cualificado, de acuerdo con las normativas locales y con las normas de salud y seguridad.
- Cualquier fallo que afecte a los componentes eléctricos debe ser comprobado y reparado únicamente por el servicio técnico autorizado.
- Durante el invierno, si el calentador va a estar desenchufado de la red eléctrica durante un largo periodo de tiempo, el tanque de agua se puede vaciar para evitar daños por congelación, en caso de que exista este riesgo. Por favor, recuerde apagar el termo antes de vaciarlo.
- Si el cable de alimentación está desgastado o deshilachado, deberá ser sustituido por el fabricante, su servicio postventa o por personas cualificadas para ello, con el fin de evitar cualquier posible peligro.
- El calentador eléctrico debe instalarse de tal manera que cualquier persona que se bañe o duche no tenga que utilizar los interruptores y otros dispositivos de instalación, manteniendo 0,6 metros entre el calentador eléctrico y la bañera o ducha.
- Este aparato puede ser utilizado por niños a partir de 8 años y por personas con capacidades físicas, sensoriales o mentales reducidas o con falta de experiencia o conocimientos, siempre que tengan la supervisión e instrucciones adecuadas para utilizar el calentador de forma segura, y siempre que comprendan los peligros asociados a su uso. Este aparato no es un juguete, los niños nunca deben jugar con él. La limpieza y el mantenimiento que llevará a cabo el usuario no debe ser hecha por niños sin supervisión.
- La temperatura del agua caliente está controlada por un termostato que también funciona como un dispositivo de seguridad que se puede servir para evitar un sobrecalentamiento peligroso.
- No manipule el dispositivo de seguridad contra el exceso de presión, muévelo solo de vez en cuando para asegurarse de que no se atasca y para eliminar cualquier resto de suciedad o grasa que se pueda haber quedado ahí; el tubo de admisión del dispositivo debe contar con un dispositivo de seguridad que cumpla

con los reglamentos pertinentes, y tiene que estar calibrado a una presión máxima de 0,8 MPa, que incluya como mínimo: un grifo, una válvula de retención, una válvula de seguridad y una válvula de corte de carga hidráulica.

- Es normal que gotee agua del dispositivo de seguridad de exceso de presión y del dispositivo de seguridad EN 1487 cuando el aparato se esté calentando. Es por ello por lo que se debe instalar un desagüe al aire libre, con un tubo que esté siempre inclinado hacia abajo, y que se encuentre en una zona que no alcance temperaturas bajo cero.



Estimado cliente:

Gracias por comprar nuestro calentador de agua eléctrico TIBER B de Ferroli.

El termo de agua eléctrico TIBER B de Ferroli ha sido diseñado y fabricado de acuerdo con la norma internacional CEI sobre electrodomésticos. Este producto es de la más alta calidad, de acuerdo con las normas internacionales. Por tanto, confiamos en que este calentador eléctrico de inmersión puede satisfacer por completo sus necesidades y mejorar la calidad de vida de su familia.

Lea atentamente este manual antes de usar el aparato y guárdelo en un lugar seguro.

### **Este producto cumple con la Directiva 2012/19/UE.**



El símbolo del contenedor tachado que hay en el aparato y en su embalaje significa que este producto, al final de su vida útil, deberá desecharse independientemente del resto de residuos. Por tanto, al final de su vida útil, el usuario debe llevar el producto a unas instalaciones autorizadas de eliminación de residuos para productos electrotécnicos y electrónicos. Como alternativa, el usuario puede devolver el producto al vendedor cuando compre un nuevo producto equivalente. Los productos electrónicos cuyas medidas sean inferiores a 25 cm pueden llevarse a cualquier distribuidor de productos eléctricos cuya superficie de tienda sea de al menos 400 m<sup>2</sup> para que sean eliminados de forma gratuita y sin ninguna obligación de comprar un nuevo producto.

La recogida selectiva de residuos para ser reciclados y su tratamiento y desguace posterior, en caso de ser compatible con la protección del entorno, contribuyen a la prevención del daño ambiental y favorecen la reutilización y/o el reciclaje.

## **ÍNDICE**

1. CARACTERÍSTICAS GENERALES .....	2
2. CARACTERÍSTICAS TÉCNICAS .....	3
3. REQUISITOS DE INSTALACIÓN.....	5
4. FUNCIONAMIENTO DE LOS CONTROLES.....	9
5. NORMAS DE MANTENIMIENTO Y CONSERVACIÓN .....	9
6. ESQUEMA DE INSTALACIÓN ELÉCTRICA.....	10

# 1. CARACTERÍSTICAS GENERALES:

- **Aislamiento de vidrio, aislamiento hidráulico-eléctrico**

El elemento calefactor está aislado con polvo de vidrio con un gran nivel de aislamiento; proporciona una gran conducción de calor y una gran estabilidad térmica como material de relleno, lo que sirve para aislar por completo el filamento térmico de la pared de los tubos, así como para garantizar que el aislamiento no tenga fugas.

- **Protección múltiple**

Este producto cuenta con varias medidas de seguridad, como la temperatura constante automática, anti-recalentamiento, anti-abrasamiento, anti-subida de tensión y anticongelante.

- **Recipiente de cristal de silicio azul**

La máquina de pulverización de esmalte, controlada por un ordenador fabricado en Italia, deposita en la superficie del recipiente una capa uniforme de silicio especial, que se fundirá en la pared de acero del recipiente una vez que la alta temperatura se sintetice a 850° C, lo que hará que el recipiente quede completamente recubierto y sea resistente a impactos, presión alta y antioxidantes, lo que alargará considerablemente la vida útil del calentador de agua

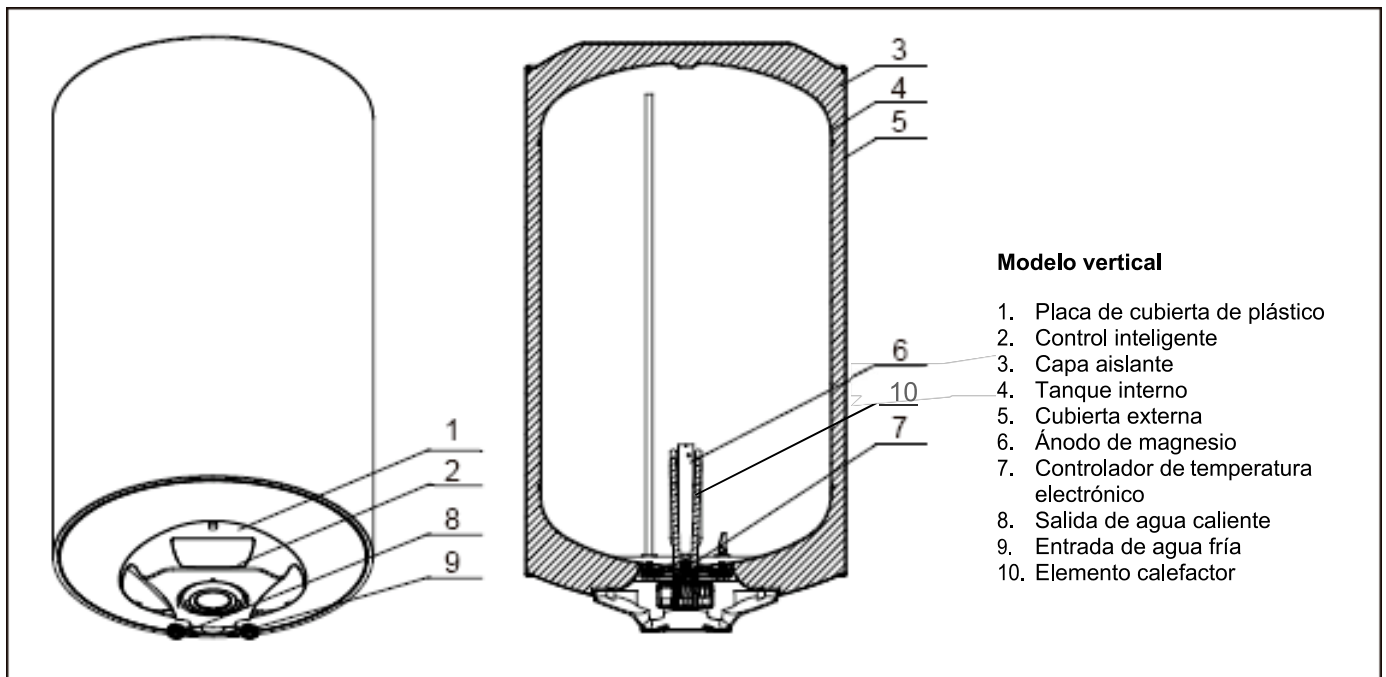
- **Barra de ánodo de magnesio**

El aparato cuenta con una fuerte barra protectora de ánodo de magnesio para garantizar la anticorrosión, desincrustación, y para obtener agua blanda, buena para la piel y además prolonga la vida útil del calentador eléctrico.

- **Funcionamiento sin problemas**

Al contar con ajuste de temperatura periférica y con una estructura cerrada, puede suministrar agua a varios lugares a la vez. Este producto es adecuado para el agua caliente que se usa en el hogar.

## Diagrama del calentador eléctrico y de las piezas que lo componen



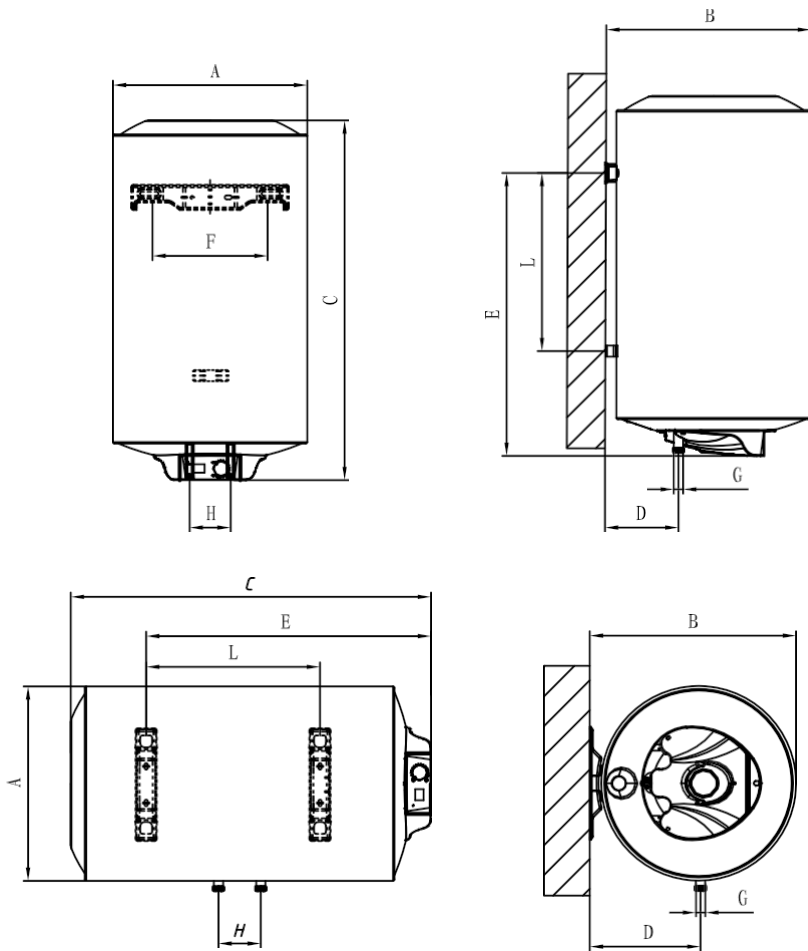
## 2. CARACTERÍSTICAS TÉCNICAS:

Modelo		TIBER B 30 S	TIBER B 50 S	TIBER B 50	TIBER B 80	TIBER B 80 H	TIBER B 100	TIBER B 100 H	TIBER B 150
Volumen de almacenamiento (V)	l	28,5	45,5	47,5	76	76	97	97	132
Peso cuando está lleno de agua*	Kg	42	63	64	99	99	122	122	165
Rango de ajuste de temperatura	°C	40-80							
Presión máxima de funcionamiento del tanque interno	MPa (bares)	0,8 (8)							
Fuente de alimentación		230V~50/60Hz							
Potencia nominal de salida	kW	1,5							
Medidas	mm	Ø368x522	Ø368x742	Ø438x579	Ø438x810	Ø438x810	Ø438x974	Ø438x974	Ø438x1280
Perfil de carga declarado		S	M	M	M	M	M	M	L
Clase de eficiencia energética del calentamiento del agua		A	B	B	B	B	B	B	C
Eficiencia energética del calentamiento del agua ( $\eta_{wh}$ )	%	38	39	39	39	39	39	39	39
Consumo eléctrico anual (AEC)	kWh	485	1316	1316	1316	1316	1316	1316	2623
Nivel de potencia acústica ( $L_{WA}$ )	dB	15							
Consumo eléctrico diario ( $Q_{elec}$ )	kWh	3072	7311	7311	7753	7753	7753	7753	14358
Agua mezclada a 40 °C (V40)	l	-	70,0	65,0	120,0	100,0	160,0	135,0	240,0
Ajustes del calentador de agua y para la temperatura del termostato, tal y como se comercializan.	°C	70							
Tipo de instalación		Instalación vertical (H)-Instalación horizontal							

**\*A tener en cuenta cuando se ancle el aparato en la pared.**

Los datos sobre el consumo de energía y demás información que figura en la ficha técnica del aparato siguen las pautas establecidas en las directivas de la UE 811/2013 y 814/2013.

El dispositivo está equipado con una función inteligente que le permite adaptarse al perfil de consumo de cada usuario. Si funciona correctamente, el aparato tiene un consumo diario de "QElec" (lo que indica un consumo menor que el de un aparato equivalente sin la función inteligente).



\*El modelo **TIBER B 100-150L** cuenta con dos soportes de montaje metálicos.

NÚMERO	MODELOS (mm)							
	TIBER B 30S	TIBER B 50S	TIBER B 50	TIBER B 80	TIBER B 100	TIBER B 150	TIBER B 80H	TIBER B 100H
A	φ368	φ368	φ438	φ438	φ438	φ438	φ450	φ450
B	380	380	450	450	450	450	462	462
C	522	742	579	810	974	1280	810	974
D	116	116	151	151	151	151	237	237
E	364	584	403	634	798	1104	634	798
F	270	270	270	270	270	270		
G	1/2"	1/2"	1/2"	1/2"	1/2"	1/2"	1/2"	1/2"
H	100	100	100	100	100	100	100	100
L	170	390	199	430	549	855	385	549

### 3. REQUISITOS DE INSTALACIÓN

Este equipo debe ser instalado y configurado por un técnico cualificado de acuerdo con las normas establecidas por la normativa local en materia de salud y seguridad, como el Reglamento electrotécnico de baja tensión, el Código técnico de edificación y los reglamentos locales pertinentes.

El equipo calienta agua a una temperatura por debajo del punto de ebullición. Debe conectarse a un suministro principal de agua que sea compatible con los niveles de rendimiento y capacidad del equipo. Antes de conectar el calentador de agua, debe seguir los pasos siguientes:

- Compruebe que las características (consulte la placa de datos) cumplen los requisitos del cliente.
- Lea las instrucciones de la etiqueta del embalaje y de la placa de datos del aparato.

#### Instalación del calentador de agua

De acuerdo con la normativa vigente, este aparato ha sido diseñado para ser instalado únicamente dentro de edificios. Además, se pide a los instaladores que sigan estas recomendaciones en caso de presencia de:

- **Humedad:** No instale el equipo en espacios cerrados (sin ventilación) o húmedos.
- **Condiciones climáticas extremas:** No instale el aparato en zonas donde la temperatura pueda descender hasta niveles críticos y exista riesgo de congelación.
- **Luz solar:** No exponga el aparato a la luz solar directa, ni siquiera aunque haya ventanas.
- **Polvo/vapores/gas:** No instale el aparato en caso de presencia de sustancias peligrosas como vapores, polvo o gases.
- **Descargas eléctricas:** No instale el aparato conectado directamente a tomas de corriente eléctrica que no estén protegidas contra sobrecargas.

#### Lugar de instalación del equipo

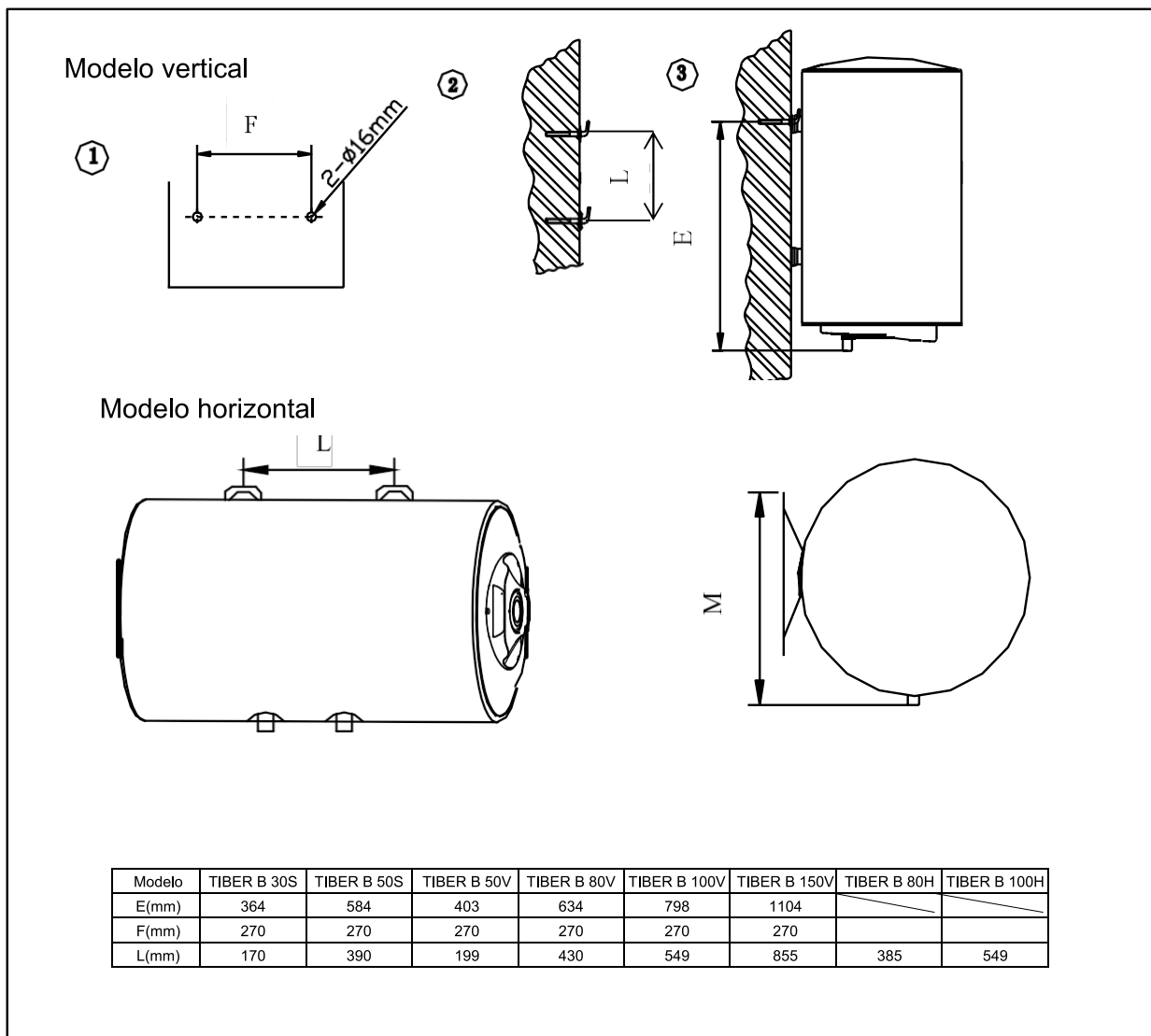
Resulta conveniente instalar el termo lo más cerca posible del suministro de agua para minimizar la pérdida de calor de las tuberías. Los calentadores de agua TIBER B se instalan siempre con conexiones de agua de caudal descendente. Para facilitar las revisiones y la limpieza interna, debe dejarse un espacio libre de al menos 25 cm entre la cubierta protectora (pos. 1, pág. 40) del calentador y cualquier obstáculo fijo.

#### INSTALACIÓN EN PARED

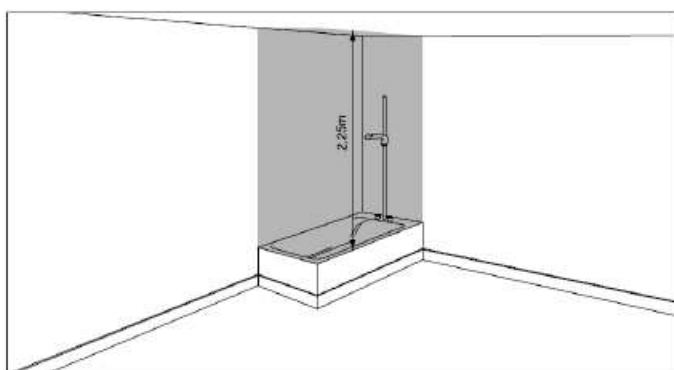
En caso de paredes de ladrillo o de bloques con cavidades, tabiques con estática limitada o cualquier otro tipo de enladrillado distinto a los mencionados, debe realizarse una inspección preliminar del sistema que va a utilizarse para instalar el aparato.

Proceso de instalación:

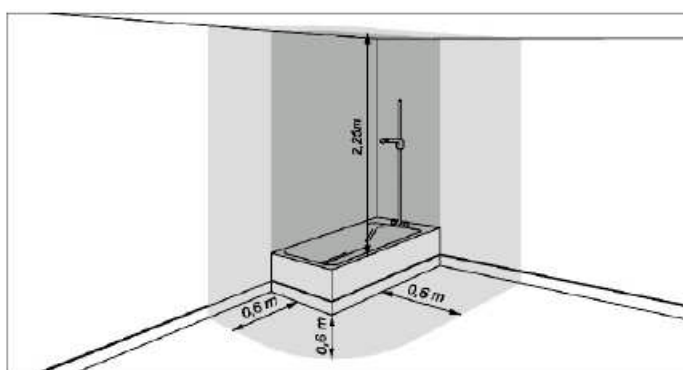
1. Asegúrese de que la superficie de la zona en la que va a instalar el calentador puede soportar cuatro veces el peso del termo cuando esté lleno de agua.
2. Utilice un taladro eléctrico para realizar los orificios a una profundidad de al menos 90 mm en la pared. Estos orificios deben estar alineados.
3. Introduzca dos tacos de pared en el orificio, enrosque las escarpias roscadas y colóquelas hacia arriba; después, eleve el calentador eléctrico y engánchelo en las escarpias, asegúrelo en su posición y compruebe que los tacos de pared no quedan sueltos para garantizar que el termo eléctrico quede firmemente fijado.



Nota: Si necesita instalar el calentador concretamente en un dormitorio o baño, deberá ceñirse a las normas del espacio de instalación especificado: Zona prohibida y Zona protegida.



Zona prohibida



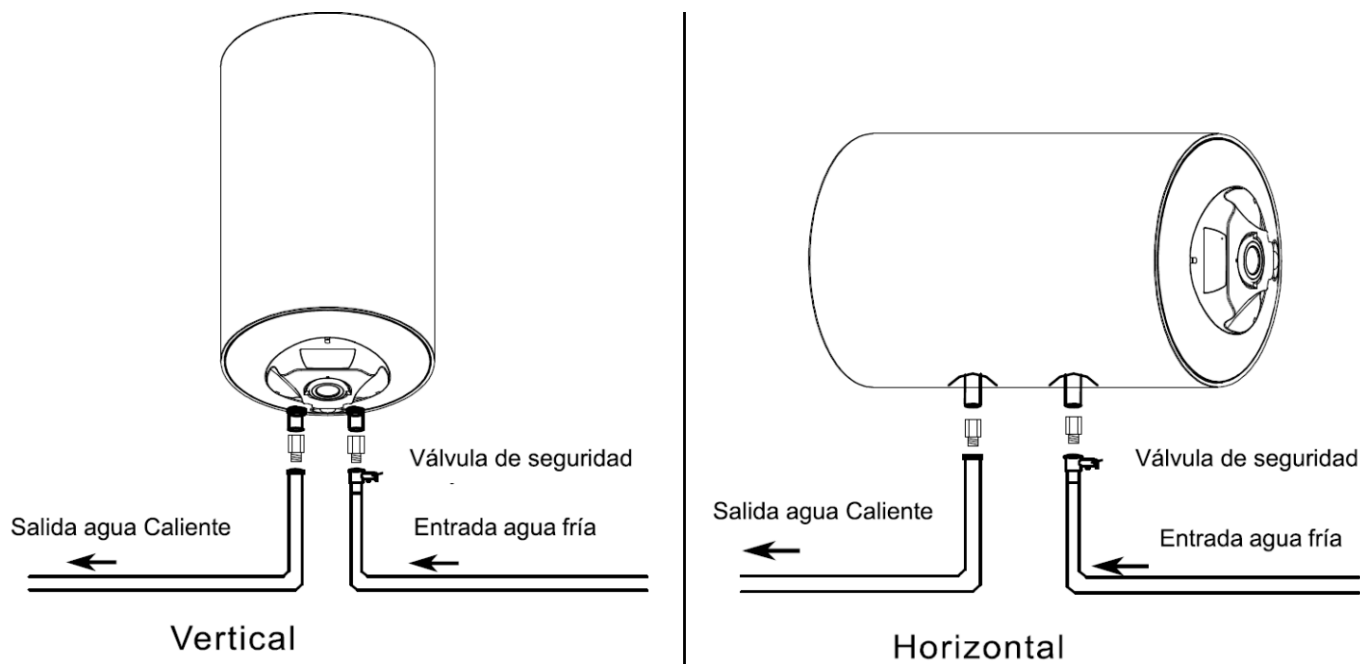
Zona protegida

- No se pueden instalar interruptores, enchufes o elementos de iluminación en la zona prohibida.
- No se pueden instalar interruptores en la zona protegida, pero sí se pueden instalar enchufes de seguridad.

## CONEXIÓN DEL SUMINISTRO DE AGUA

Conecte la entrada y la salida de agua del calentador a tuberías o accesorios que puedan soportar temperaturas superiores a 100° C y una presión que sobrepase la presión de trabajo (**8 bares**). Por tanto, le recomendamos encarecidamente que no utilice materiales que no soporten altas temperaturas.

Cuando instale las tuberías de agua, siga las normas básicas para evitar la corrosión: “No utilice cobre antes que hierro o acero en la dirección del flujo de agua”. Para evitar la formación de pares galvánicos y su efecto destructivo, utilice cinta de teflón para ensartar las mangueras aislantes, entregadas con el calentador, a las dos tuberías.



Ensarte la tubería de entrada de agua fría (azul) en la manguera electrolítica y de esta al subconjunto de seguridad hidráulica con el dispositivo de drenaje entregado con el calentador. Coloque una válvula de corte en la tubería de suministro de agua fría. **IMPORTANTE: la válvula de corte debe estar siempre en la posición de abierto cuando el termo esté encendido.**

Algunos países exigen que se utilicen dispositivos de seguridad alternativos y puede que existan otros requisitos en virtud de las normas locales. El instalador debe comprobar la idoneidad del dispositivo de seguridad que tenga intención de utilizar. No coloque el dispositivo de corte (válvula, grifo, etc.) entre el equipo de seguridad y el calentador.

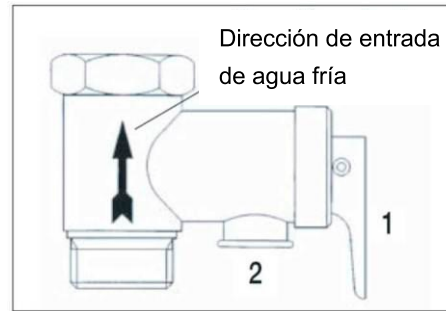
Conecte la tubería de distribución de agua caliente a la manguera aislante de la tubería de salida de agua caliente (roja) del termo.

La válvula o el conjunto de seguridad hidráulica proporcionados con el calentador están equipados con una válvula de retención y de sobrepresión. Esta última se abre a un máximo de 8 bares. Si la presión en la instalación de agua supera los 5 bares, coloque un manorreductor conforme a la normativa.

Asimismo, es esencial conectar la boquilla de desagüe de la válvula de seguridad (2) a un desagüe utilizando el tubo de evacuación de sifón que se le ha proporcionado. Este conducto debe quedar a la vista e inclinarse hacia la tubería.

### Descripción de la válvula de seguridad

- 3- Dispositivo para vaciar el agua del calentador
- 4- Salida de drenaje de agua



### CONEXIÓN ELÉCTRICA

Antes de instalar el aparato, le recomendamos que revise con detenimiento el sistema eléctrico para asegurarse de que cumple con las normativas pertinentes. El fabricante no se hace responsable de ningún daño causado por no disponer de una buena conexión a tierra o por un problema relacionado con el suministro de energía.

Asegúrese de que el voltaje utilizado es de 230 V / 50 Hz.

Compruebe que la fuente de alimentación principal tiene una calificación adecuada para el consumo de energía máximo del calentador (consulte la placa de características técnicas) y que los cables eléctricos y el cableado estén adecuadamente calificados y regulados.

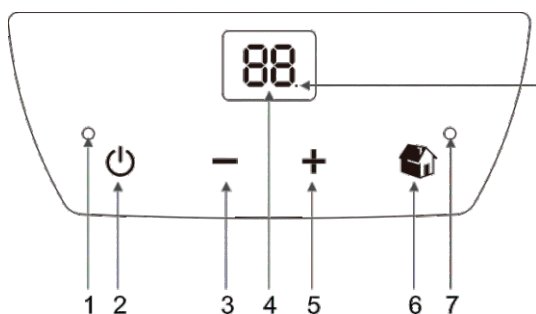
Asegúrese de que la instalación eléctrica cuenta con el interruptor diferencial obligatorio de conformidad con las normativas.

### PUESTA EN MARCHA

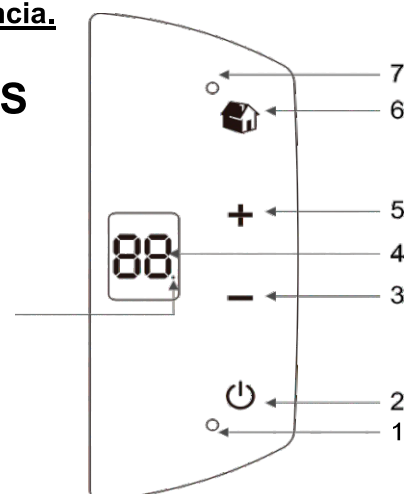
Llene el termo de agua abriendo la válvula de corte de agua fría y los grifos de agua caliente. Cuando el agua salga por los grifos, ciérrelos empezando por el más bajo (bidé) y terminando por el superior (ducha). De este modo, en caso de que haya aire en el calentador y en las tuberías, podrá expulsarse.

**El calentador debe llenarse de agua antes del primer uso (o después de cualquier tarea de mantenimiento o limpieza) y tras haber sido conectado a la corriente. NO CONECTE LA ENERGÍA a menos que esté lleno; de lo contrario, podría dañar la resistencia.**

## 4. FUNCIONAMIENTO DE LOS CONTROLES



Indicador de calentamiento




- 1 – Parpadeo: función antibacterias activada;  
Normalmente encendida: modo de temperatura constante
- 2 – Botón de encendido
- 3/5 – Botón de ajuste  
Pulsación corta: ajustar;  
Pulsación larga: ajuste rápido. Pulse y mantenga pulsado el botón durante 5 segundos para activar o desactivar el modo antibacterias.

- 4 – Pantalla de temperatura / Pantalla de ajuste de cuenta atrás / Pantalla de hora
- 6 – Botón de modo  
Pulsación corta: modo de programación de cuenta atrás / temperatura constante / interruptor eco;  
Pulsación larga: entrar en ajuste de programación de cuenta atrás
- 7 – Siempre encendido: Modo eco;  
Parpadeo: Cuenta atrás activada



1. Luz indicadora de 2 colores  
Función de temperatura constante; LED roja  
Función para prevenir la legionela, la LED roja (6/7) parpadea  
Función apagado y encendido, LED verde
2. Botón ESPERA
3. Botón “-“
4. Pantalla de temperatura
5. Botón “+”
6. Botón de selección de modo (modo de reserva/temperatura constante/modo ECO)
7. Modo programación de cuenta atrás. LED roja (6) encendida


Enchufe el calentador en una toma de corriente de 230 V / 50 Hz. La pantalla digital LED (1) se iluminará en verde la primera vez que se enchufe. Pulse el botón **STANDBY**  (2) para encender el aparato. La primera vez que se encienda el calentador, la temperatura se ajustará a 70 °C.

Durante la fase de calentamiento, el punto decimal de la esquina inferior derecha de la pantalla digital LED parpadeará y estará encendido hasta que se alcance la temperatura seleccionada, cuando el punto decimal desaparecerá.

Si la temperatura cae, por ejemplo tras usar agua caliente, empezará a calentar el agua automáticamente de nuevo y el punto decimal volverá a parpadear.

Durante la fase de calentamiento, podría escuchar un ligero sonido debido al proceso de calentamiento del agua.


El calentador TIBER B cuenta con tres modos de funcionamiento: Manual e Inteligente (“Smart”) / Programación (“Appointment”).

Puede cambiar de modo pulsando el botón .

### **FUNCIÓN MANUAL:**

Este modo permite al usuario ajustar la temperatura pulsando los botones “+” y “-“, hasta que se indique con los LEDs, seleccionando una temperatura mínima de entre 40 y 80 °C (40 °C, 50 °C, 60 °C, 70 °C y 80 °C).

### **FUNCIÓN INTELIGENTE (“SMART”):**

Pulse el botón  para activar la función “inteligente”. La luz LED indicadora correspondiente (7) se encenderá.

Si la función manual se usa junto con la función “inteligente”, el termo ajustará la temperatura de forma automática, lo que significa que se desactivará la función manual.

Si desea ajustar la temperatura de forma manual, deberá apagar la función “inteligente”.

## **Función inteligente: descripción**

La función inteligente es un software que aprende sobre el consumo del usuario, lo que le permite minimizar la pérdida de calor y maximizar el ahorro de energía.

El software inteligente se somete a una fase de estudio de una semana desde el momento en el que el calentador eléctrico comienza a funcionar a la temperatura establecida y registra el consumo de energía del usuario.

A partir de la segunda semana, el proceso de aprendizaje continúa para aprender sobre las necesidades del usuario con más detalle y cambia la temperatura cada hora para adaptarla a la demanda real con el objetivo de mejorar el ahorro de energía.

El software "inteligente" "Smart" activa el calentamiento del agua durante el tiempo determinado automáticamente por el calentador en función del consumo del usuario. Durante el día, cuando no hay demanda de agua, el calentador se sigue asegurando de que haya un suministro de reserva de agua caliente disponible a 45 °C.




**Para garantizar que la función inteligente funcione correctamente, no desconecte el calentador de la fuente de alimentación principal.**

## **FUNCIÓN DE PROGRAMACIÓN**

Siga pulsando el botón  para entrar en el modo de programación.

Pulse el botón de modo para cambiar al modo de cuenta atrás programada, la luz parpadeará (6).

En la función cuenta atrás programada, del modo del mismo nombre, el calentador de agua eléctrico se calentará con antelación hasta la temperatura seleccionada de acuerdo con el tiempo indicado por el usuario.

**Modo de programación de cuenta atrás:** pulse el botón  durante 3 segundos para entrar en el ajuste de programación de cuenta atrás;  parpadeará; entre en el ajuste de cuenta atrás, utilice los botones **+** y **-** y pulse el botón para ajustar la cuenta atrás. Una vez establecida la cuenta atrás, pulse el botón  brevemente para confirmar. Si tras 5 segundos no se realiza ninguna acción, el ajuste actual se guardará por defecto y saldrá de los ajustes. Cuando el calentador de agua eléctrico esté apagado, saldrá del modo de programación de cuenta atrás.

Siga pulsando el botón de la puerta; la luz LED correspondiente (7) se apagará y saldrá del modo de programación.

## **FUNCIÓN PARA PREVENIR LA LEGIONELA**

El "ciclo de desinfección térmico" del aparato o la función para prevenir la legionela viene desactivada por defecto.

Active esta función pulsando las teclas "-" y "+" a la vez durante 5 segundos. Una vez confirmada la activación, (1) la luz parpadeará rápidamente durante 5 segundos y, posteriormente, la luz seguirá parpadeando.

Para desactivar la función de prevención de la legionela, repita los pasos anteriores (pulse las teclas "-" y "+" durante 5 segundos); una vez confirmada la desactivación, el indicador (luz 1) dejará de parpadear y permanecerá encendido.

Cuando el ciclo antibacteriano está en funcionamiento, la temperatura establecida es de 73 °C. Esto se muestra como un ajuste de temperatura normal de 80 °C; sin embargo, si alcanza esta temperatura, seguirá apareciendo como 70 °C (sin llegar a los 80 °C).

La primera vez que se active esta función (o si se ha apagado el calentador de agua), espere 3 días para que empiece a funcionar; una vez completado el ciclo, se repetirá cada 30 días, siempre que no esté configurado para funcionar a 80 °C, en cuyo caso el ciclo de 30 días se reajustará.

Esta función se puede utilizar en todos los modos.

## Información

La legionela es una pequeña bacteria con forma de barra que es un componente natural en toda el agua dulce. La enfermedad de los legionarios es una grave infección de neumonía causada por la inhalación de la bacteria *Legionella pneumophila* o de alguna otra especie de legionela. Estas bacterias se encuentran con frecuencia en sistemas domésticos, en hoteles y en otros sistemas de agua, así como en el agua utilizada para el aire acondicionado o la refrigeración del aire. Por lo tanto, el principal enfoque para combatirla es la prevención, mediante el control de los organismos presentes en los sistemas de agua.

## Recomendaciones generales

Para limitar el crecimiento de la legionela:

**Temperatura del agua entre 25 °C y 50 °C.** Para restringir el crecimiento de la bacteria legionela, la temperatura del agua deberá estar dentro de un rango en el que la bacteria no crezca en absoluto o en el que crezca muy poco, siempre que sea posible. De lo contrario, la instalación de agua potable tendrá que desinfectarse usando un tratamiento térmico.

**Estancamiento de agua.** Para evitar que haya largos periodos en los que el agua se pueda quedar estancada, el agua de cada parte de la instalación de agua potable debe ser utilizada o enjuagada al menos una vez a la semana.

En cuanto al agua almacenada en este calentador de agua, si:

- 1) La unidad se apaga durante un largo periodo de tiempo [meses] o
- 2) La temperatura del agua se mantiene constantemente dentro del rango de los 25 - 50 °C, la bacteria de la legionela puede crecer en el tanque.

En tales circunstancias, puede reducir la proliferación de la bacteria llevando a cabo un “ciclo de desinfección térmico”.

**Nota:** Cuando el software lleve a cabo el tratamiento de desinfección térmica, es probable que el consumo de energía del calentador de agua eléctrico aumente. **La temperatura del agua en el tanque puede causar serias quemaduras justo en el momento en que el software realiza el tratamiento de desinfección térmico. Lo niños, las personas discapacitadas y los ancianos corren un riesgo especial de sufrir quemaduras. Compruebe la temperatura del agua antes de bañarse o ducharse.**

## CARACTERÍSTICAS GENERALES:

En caso de que hubiera un apagón o si el aparato se apagara con el botón **STANDBY**, el ajuste de temperatura más reciente permanecería en la memoria, así como su estado (es decir, si estaba en espera o en funcionamiento), y si la función para prevenir la legionela estaba activada o desactivada.

**En cualquier procedimiento de configuración, si el usuario no realiza ninguna acción durante 5 segundos, el último ajuste se quedará guardado en la memoria del dispositivo.**

## FUNCIÓN ANTICONGELANTE

La función anticongelante funcionará cuando haya clima frío y cuando el aparato no se utilice durante un largo periodo de tiempo. La función anticongelante del aparato está activada por defecto.

Para asegurarse de que la función anticongelante funcione correctamente, no desconecte el calentador de la red eléctrica.

## **REINICIO / DIAGNÓSTICO**

En caso de avería, el aparato entrará en el “modo error” y la pantalla 4 mostrará el código de error correspondiente.

### **Reiniciado:**

Corte la corriente y vuelva a encender el calentador de agua si la avería ha desaparecido.

El calentador volverá a funcionar normalmente. Si no es así, la pantalla 4 seguirá mostrando el código de error.

### **Diagnóstico:**

El tipo de error aparecerá en la pantalla 4 como se indica a continuación:

E4 LED parpadeando – Funcionamiento sin agua

E2/E5 LED parpadeando – Sensores de temperatura NTC 1/NTC 2 están rotos

E6 LEDS parpadeando – Fallo en el diferencial del sensor

E7 LED parpadeando – Sobrecalentamiento del agua

E8 LED parpadeando – Sobrecalentamiento del agua detectado por un sensor individual

**NUNCA INTENTE REPARAR EL APARATO POR SÍ MISMO, ASEGÚRESE DE QUE SIEMPRE LO HACE UN TÉCNICO CUALIFICADO.**

Toda la información y las características indicadas no son vinculantes; el fabricante se reserva el derecho de modificarlos, anunciarlos o sustituirlos a su entera discreción. Este producto cumple con el reglamento REACH.

## **5. NORMAS DE MANTENIMIENTO Y CONSERVACIÓN**

### **Ánodo de magnesio**

Es esencial que el servicio de asistencia técnica revise su aparato una vez al año para eliminar las incrustaciones de cal depositadas en el elemento calefactor y para comprobar el estado del ánodo de magnesio (ver imagen 6). Si el agua de su zona es muy dura o corrosiva, deberá organizar revisiones más a menudo.

Si el ánodo de magnesio se degrada, deberá ser sustituido por el servicio de asistencia técnica.

### **Vaciado del aparato**

Si se instala en un lugar en el que se producen heladas, el termo se deberá vaciar en caso de que no se vaya a utilizar. Cuando sea necesario, vacíe el calentador de la siguiente manera:

- Desconecte el calentador de la red eléctrica
- Cierre la válvula de agua
- Abra el grifo de agua caliente (del lavabo, del fregadero o de la bañera)
- Abra la válvula de desagüe

## Mantenimiento regular

Después de realizar tareas de mantenimiento rutinario o especial, recomendamos que llene el tanque con agua y que lo vacíe completamente para eliminar cualquier residuo.

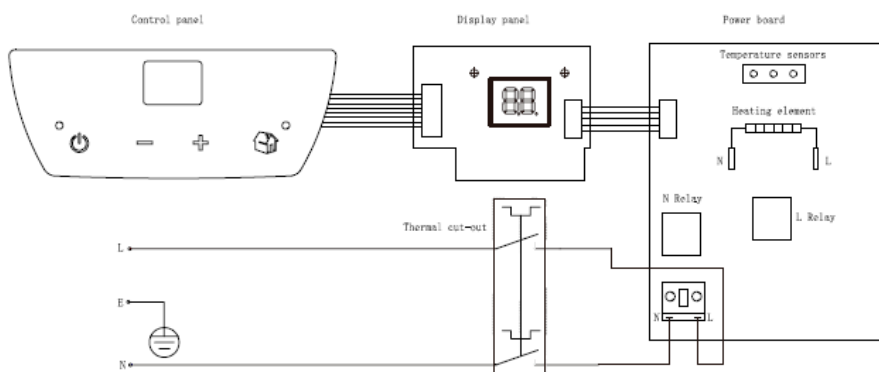
## Válvula de seguridad

El dispositivo de seguridad de la presión debe activarse de forma regular (una vez al mes) para eliminar las incrustaciones de cal y para asegurarse de que no hay atascos. Esto se puede hacer con la palanca N.º 1, el dispositivo de seguridad para vaciar el agua del termo.

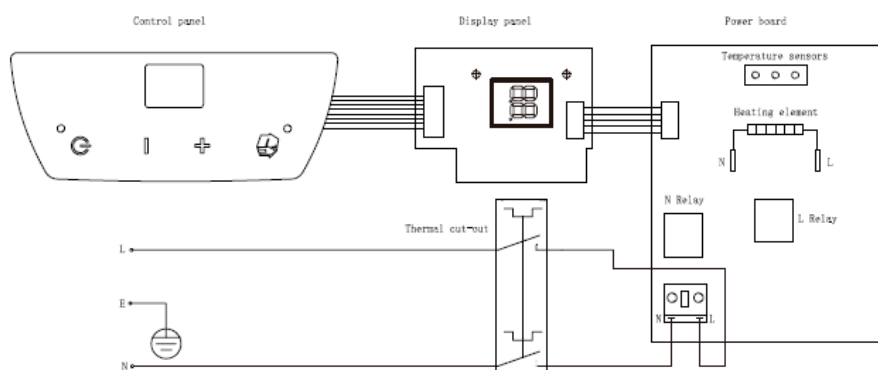
Para limpiar el calentador por fuera, utilice un paño húmedo con agua y jabón. Nunca use productos abrasivos o que contengan disolventes (como el alcohol, por ejemplo).

**Por motivos de seguridad, Ferroli no acepta ninguna responsabilidad por el uso de cualquier otro artículo que no sea una pieza original o un recambio que haya sido instalado por nuestro servicio de asistencia técnica.**

## 6. ESQUEMA DE INSTALACIÓN ELÉCTRICA



Modelo vertical



Modelo horizontal

USUARIO  
Nombre  
Domicilio  
Población

VENDEDOR  
Nombre  
Domicilio  
Población

Fecha de venta

Sello y firma del distribuidor

### **CERTIFICADO DE GARANTÍA**

**GARANTE:** Ferroli España, S.L.U., con domicilio social Polígono Industrial de Villayuda, Calle Alcalde Martín Cobos, 4 – 09007 Burgos

**PRODUCTO:** esta garantía es aplicable a los termos eléctricos contenidos en el presente manual.

#### **GARANTÍA:**

Se garantizan los aparatos suministrados de acuerdo con el Real Decreto legislativo 1/2007, de 16 de noviembre, por el que se aprueba el texto refundido de la Ley General para la Defensa de los Consumidores y Usuarios y otras leyes complementarias, por un periodo de **2 años** contra las faltas de conformidad que se manifiesten desde la entrega del producto.

*Salvo prueba en contrario, se presumirá que las faltas de conformidad que se manifiesten transcurridos 6 meses desde la entrega no existían cuando el bien se entregó.*

La garantía de los repuestos tendrá una duración de **2 años** desde la fecha de entrega del aparato.

Dicha garantía tiene validez única y exclusivamente para los aparatos vendidos e instalados en el territorio español.

Las reparaciones se realizarán en los talleres de Servicio de Asistencia Técnico Oficial.

El material sustituido en garantía quedará en propiedad del garante.

#### **GARANTÍA COMERCIAL:**

Para los modelos TIBER B se ofrece una garantía comercial que consiste en:

- **2 años** tanto en mano de obra como en piezas de repuesto desde la adquisición de producto, comprobado mediante la presentación de la factura o tique de compra.
- **5 años** en calderín (no incluye mano de obra ni desplazamiento), siempre que se realice la pertinente revisión anual del ánodo a partir del segundo año, exceptuando aparatos en las Islas Canarias. En las Islas Canarias se concede una garantía de 3 años en el calderín (no incluye mano de obra ni desplazamiento) siempre que se haya realizado la revisión del ánodo en el segundo año de vida del aparato.

#### **ALCANCE DE LA GARANTÍA:**

Salvo prueba en contrario, se entenderá que los bienes son conformes y aptos para la finalidad que se adquirieren y siempre que se lleve a cabo bajo las siguientes condiciones:

- El aparato garantizado deberá corresponder a los que el fabricante destina expresamente para España, y deberá ser instalado en España.
- Los repuestos que sean necesarios sustituir serán los determinados por nuestro Servicio Técnico Oficial, y en todos los casos serán originales del fabricante.
- La garantía es válida siempre que se realicen las operaciones normales de mantenimiento descritas en las instrucciones técnicas suministradas con los equipos.
- El consumidor deberá informar al garante de la falta de conformidad del bien, en un plazo inferior a dos meses desde que tuvo conocimiento de esta.

#### **La garantía no cubre las incidencias producidas por:**

- La alimentación eléctrica de equipos con grupos electrógenos o cualquier otro sistema que no sea una red eléctrica estable y de suficiente capacidad.
- Los productos cuya reparación no haya sido realizada por el Servicio Técnico Oficial del fabricante y/o personal autorizado por el mismo.
- Corrosiones, deformaciones, etc., producidas por un almacenamiento inadecuado.
- Manipulación del producto por personal ajeno al designado por el fabricante durante el período de garantía.
- Montaje no acorde con las instrucciones que se suministran en los equipos, por ejemplo, conectar el termo sin haberlo llenado previamente.
- Instalación del equipo que no respete las Leyes y Reglamentaciones en vigor (electricidad, hidráulicas, etc.).
- Defectos en las instalaciones eléctricas, hidráulica, desagües o bien por insuficiencia de caudal necesario.
- Anomalías causadas por el incorrecto tratamiento del agua de alimentación al equipo, por corrosiones originadas por la agresividad de esta, por tratamientos desincrustantes mal realizados, etc.
- Anomalías causadas por agentes atmosféricos (hielos, rayos, inundaciones, etc.) así como por corrientes erráticas.
- Mantenimiento inadecuado, descuido o mal uso.

Los daños producidos en el transporte deberán ser reclamados por el usuario directamente al transportista.

**MUY IMPORTANTE:** Para hacer uso del derecho de Garantía aquí reconocido, será requisito necesario que el aparato se destine al uso doméstico. También será necesario presentar al personal técnico del fabricante antes de su intervención, la factura o tique de compra del aparato junto al albarán de entrega correspondiente si este fuese de fecha posterior. Las posibles reclamaciones deberán efectuarse ante el organismo competente en esta materia.

**NOTA:** Todos nuestros Servicios Técnicos Oficiales disponen de la correspondiente acreditación por parte del fabricante. Exija esta acreditación en cualquier intervención.

USUÁRIO  
Nome  
Domicílio  
Localidade

VENDEDOR  
Nome  
Domicílio  
Localidade

Data de venda

Carimbo e assinatura do distribuidor

### **CERTIFICADO DE GARANTIA**

**GARANTE:** Ferroli España, S.L.U., com sede social Polígono Industrial de Villayuda, Calle Alcalde Martín Cobos, 4 – 09007 Burgos

**PRODUTO:** esta garantia é aplicável aos termoacumuladores elétricos contidos no presente manual.

#### **GARANTIA:**

Os aparelhos fornecidos são garantidos de acordo com o Decreto-Lei 84/2008, de 21 de Maio, de garantia na venda de bens de consumo por um período de **2 anos** contra as faltas de conformidade que se manifestem desde a entrega do produto.

*Salvo prova em contrário, presume-se que as falhas de conformidade que se manifestem passados 6 meses desde a entrega não existiam quando o bem foi entregue.*

A garantia das peças sobressalentes terá uma duração de **2 anos** a partir da data de entrega do aparelho.

Tal garantia é válida única e exclusivamente para os aparelhos vendidos e instalados no território português.

As reparações serão realizadas nas oficinas do Serviço de Assistência Técnica Oficial.

O material substituído em garantia quedará em propriedade do garante.

#### **GARANTIA COMERCIAL:**

Para os modelos TIBER B é oferecida uma garantia comercial que consiste em:

- **2 anos**, tanto de trabalho e peças de reposição a partir da compra do produto encontrado através da apresentação da fatura de compra.
- **5 anos** em caldeira (não inclui mão de obra nem deslocação), desde que o ânodo anual revisto relevante é feita a partir do segundo ano.

#### **ALCANCE DA GARANTIA:**

Salvo prova em contrário, entender-se-á que os bens estão em conformidade e preparados para a finalidade para a qual foram adquiridos e sempre que sejam usados nas condições seguintes:

- O aparelho garantido deverá corresponder aos que o fabricante destina expressamente à Portugal, e deverá ser instalado na Portugal.
- As peças que seja necessário substituir serão as que tiverem sido indicadas pelo nosso Serviço Técnico Oficial, e em todos os casos serão originais do fabricante.
- A garantia é válida sempre que sejam efectuadas as operações normais de manutenção descritas nas instruções técnicas fornecidas com os equipamentos.
- O consumidor deverá informar o garante sobre a falta de conformidade do bem, num prazo inferior a dois meses desde que teve conhecimento da mesma.

#### **A garantia não cobre as incidências produzidas por:**

- A alimentação eléctrica de equipamentos com grupos electrogêneos ou qualquer outro sistema que não seja uma rede eléctrica estável e de suficiente capacidade.
- Os produtos cuja reparação não tenha sido efectuada pelo Serviço Técnico Oficial do fabricante e/ou por pessoal autorizado pelo mesmo.
- Corrosões, deformações, etc., provocadas por armazenamento inadequado.
- Manipulação do produto por pessoal alheio ao designado pelo fabricante durante o período de garantia.
- Montagem feita não seguindo as instruções fornecidas com os equipamentos, por exemplo, conectar o termoacumulador sem o ter enchido previamente.
- Instalação do equipamento não respeitadora das Leis e das Regulamentações em vigor (eletricidade, hidráulicas, etc.).
- Defeitos nas instalações eléctricas, hidráulica, desaguadouros ou bem por insuficiência de caudal necessário.
- Anomalias causadas por um incorreto tratamento da água de alimentação ao equipamento, por corrosões originadas pela agressividade da mesma, por tratamentos desincrustantes mal efectuados, etc.
- Anomalias causadas por agentes atmosféricos (gelo, raios, inundações, etc.) assim como por correntes erráticas.
- Manutenção inadequada, descuido ou mau uso.

Os danos provocados durante o transporte deverão ser reclamados pelo usuário diretamente ao transportador.

**MUITO IMPORTANTE:** Para que possa fazer uso do direito de Garantia aqui reconhecido, exige-se que o aparelho seja destinado a uso doméstico. Também será necessário apresentar ao pessoal técnico do fabricante antes da sua intervenção, a factura ou o talão de compra do aparelho, juntamente com a guia de entrega correspondente, se esta tiver data posterior. As possíveis reclamações deveram-se efetuar ante o organismo competente nesta matéria.

**NOTA:** Todos os nossos Serviços Técnicos Oficiais dispõem da respectiva certificação por parte do fabricante. Exija esta acreditação em qualquer intervenção.

**CENTRO DE ATENCIÓN AL DISTRIBUIDOR****E-mail:** madrid@ferroli.es**902 400 113/912 972 838****CENTRO DE ATENCIÓN AL PROFESIONAL****E-mail:** profesional@ferroli.es**902 481 010**CALEFACCIÓN CLIMATIZACIÓN  
**947 100 566/947 100 478****SERVICIO TÉCNICO OFICIAL (S.A.T.)****E-mail:** usuario@ferroli.es**902 197 397/914 879 325****AHORA TAMBIÉN LOS FINES DE SEMANA  
Y FESTIVOS****FERROLI ESPAÑA, S.L.U**

ISO 9001

BUREAU VERITAS  
Certification**Sede Central y Fábrica:**

Polígono Industrial de Villayuda  
Apartado de Correos 267 - 09007 Burgos  
Tel. 947 48 32 50 • Fax 947 48 56 72  
e.mail: ferroli@ferroli.es  
<http://www.ferroli.es>

**Dirección Comercial:**

Avda. Italia, 2  
28820 Coslada (Madrid)  
Tel. 91 661 23 04 • Fax 91 661 09 91  
e.mail: marketing@ferroli.es